



## AMA-7019AX

Recessed Wall / Wall Mount 19 inch Resistive Touch Screen Operator Workstation

### Features

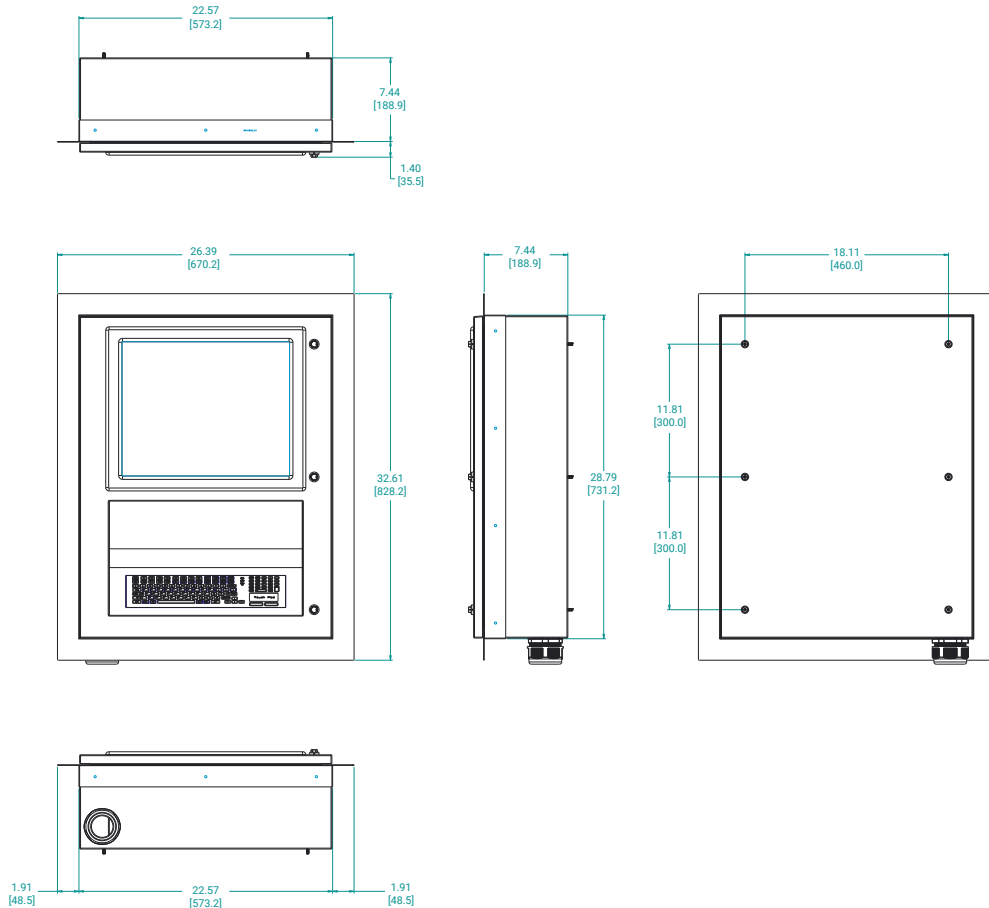
- 19" LCD, 1280 x 1024 Resolution
- 5-Wire Resistive Touch Screen
- Intel Celeron J1900 @ 1.99GHz / Atom E3845 @ 1.91GHz CPU; Intel i7-6600U CPU
- Up to 8GB DDR3 / Up to 16GB DDR4 SO-DIMM
- Stainless Steel Fully Closed Enclosure
- Meets NEMA 4X / IP66 Protection Requirements
- Recessed Wall / Wall Mount
- Waterproof Keyboard and Pointing Device
- Three Keyboard Options
- ThinManager Ready Version Available

### Specifications

Model Name	AMA-7019AX	
	E01	H01
<b>LCD Display</b>		
Display Size (Diagonal)	19 inch	19 inch
Max Resolution	1028 x 1024	1028 x 1024
Backlight Lifetime (Hours)	50,000 hours	50,000 hours
<b>Visual Characteristics</b>		
Colors	16.7 million	16.7 million
Aspect Ratio	5:4	5:4
Viewing Angle (V/H)	178° / 178°	160° / 140°
Contrast Ratio	800 : 1	800 : 1
Brightness	350 nits	350 nits (max)
<b>Touch Screen</b>		
Technology	5 Wire Resistive	5 Wire Resistive
Interface	USB	USB
Driver	Windows 7, Windows 10	Windows 10
<b>System</b>		
CPU	Intel Celeron J1900 @ 1.99GHz / Atom E3845 @ 1.91GHz CPU	Intel i7-6600U CPU
Chipset	Bay Trail	Skylake
Memory	Up to 8GB DDR3 SO-DIMM	Up to 16GB DDR4 SO-DIMM
Video Controller	Intel Gen7 Intel Graphics DX 11, OGL3.2	Intel HD Graphics 520
External Video Output	N/A	N/A
Storage Option	2.5" SSD	2.5" SSD
CFast	Optional	Optional
Keyboard	Membrane or Silicon Rubber Keyboard	Membrane or Silicon Rubber Keyboard
Mouse	Pointing Device or Touch Pad	Pointing Device or Touch Pad
Audio	N/A	N/A
Watchdog Timer	Programmable 1 - 255 sec	Programmable 1 - 255 sec
Remote Boot	ThinManager Ready, PXE	N/A
Expansion Slot	N/A	N/A
<b>I/O Communication</b>		
USB Port	1 x USB 3.0, 1 x USB 2.0	1 x USB 3.0, 1 x USB 2.0
Serial Port	4 x RS-232/422/485 BIOS Selectable	4 x RS-232/422/485 BIO Selectable
IEEE 1394	N/A	N/A
LAN	2 x Gigabit	2 x Gigabit
Parallel	N/A	N/A
GPIO	4 x DI, 4 x DO	4 x DI, 4 x DO
<b>OS Support</b>		
OS Support	Windows 7, Windows 10	Windows 10
<b>Power/Thermal Specs</b>		
Power Requirement (Max)	110VAC~220VAC	110VAC~220VAC
Power Consumption (Max)	30 W	43 W
Recommended Power Supply	Included	Included
Heat Dissipation	103 BTU/hr	146 BTU/hr
<b>Physical Information</b>		
Mounting	Recessed Wall / Wall Mount	Recessed Wall / Wall Mount
Net Weight	--	--
Dimension (W x H x D)	26.39 x 33.61 x 7.44 inch 670.2 x 828.2 x 188.9 mm	26.39 x 33.61 x 7.44 inch 670.2 x 828.2 x 188.9 mm
Recommended Cutout Dimension (WxH)	N/A	N/A
Rating	Meets NEMA 4X / IP65	Meets NEMA 4X / IP65
Certification	N/A	N/A
<b>Environmental</b>		
Operation Temperature	0-35°C (32-95°F)	0-35°C (32-95°F)
Storage Temperature	-20-60°C (-4-140°F)	-20-60°C (-4-140°F)
Humidity	0~95%	0~95%

## Dimension Drawing

Model Name: AMA-7019AX  
Size Unit: inch(mm)



## Ordering Information

Item	AMA-7019AX E01-007-000A	AMA-7019AX E01-007-000C
LCD Display	19" / 1280 x 1024	19" / 1280 x 1024
Touch Screen	5-Wire Resistive	5-Wire Resistive
Enclosure	316L Stainless Steel	316L Stainless Steel
CPU	Intel Celeron J1900 @ 1.99GHz / Atom E3845 @ 1.91GHz CPU	Intel Celeron J1900 @ 1.99GHz / Atom E3845 @ 1.91GHz CPU
Memory	4GB DDR3	4GB DDR3
Storage	N/A	N/A
Keyboard Option	KB-115A-AX	KB-115C-AX
Remote Boot	ThinManager Ready	ThinManager Ready
Operating System	N/A	N/A
Operating Voltage	110/220VAC	110/220VAC

Item	AMA-7019AX-H01-035-700A	AMA-7019AX-H01-035-700C
LCD Display	19" / 1280 x 1024	19" / 1280 x 1024
Touch Screen	5-Wire Resistive	5-Wire Resistive
Enclosure	316L Stainless Steel	316L Stainless Steel
CPU	2.6/3.4 GHz i7 6600U	2.6/3.4 GHz i7 6600U
Memory	16GB DDR4	16GB DDR4
Storage	2.5" SATA SSD	2.5" SATA SSD
Keyboard Option	KB-115A-AX	KB-115C-AX
Remote Boot	N/A	N/A
Operating System	Optional	Optional
Operating Voltage	110/220VAC	110/220VAC